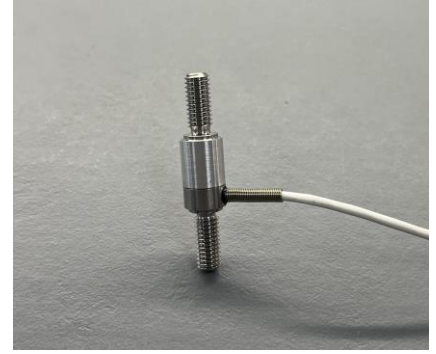


FTCP 3024 Series

Traction Compression load sensor
M6 thread

Ref:3102

Rev: A



DESCRIPTION

This type of miniature sensor is intended for traction and compression force measurements for both static and dynamic applications. This sensor is equipped with highly stable micro machined silicon gauges. Its 2 threads allow easy installation in an industrial environment, especially when space is an important factor.

MESUREX is a sensor manufacturer. We can adapt most sensors according to your needs. Please [contact us](#).

TECHNICAL DATA

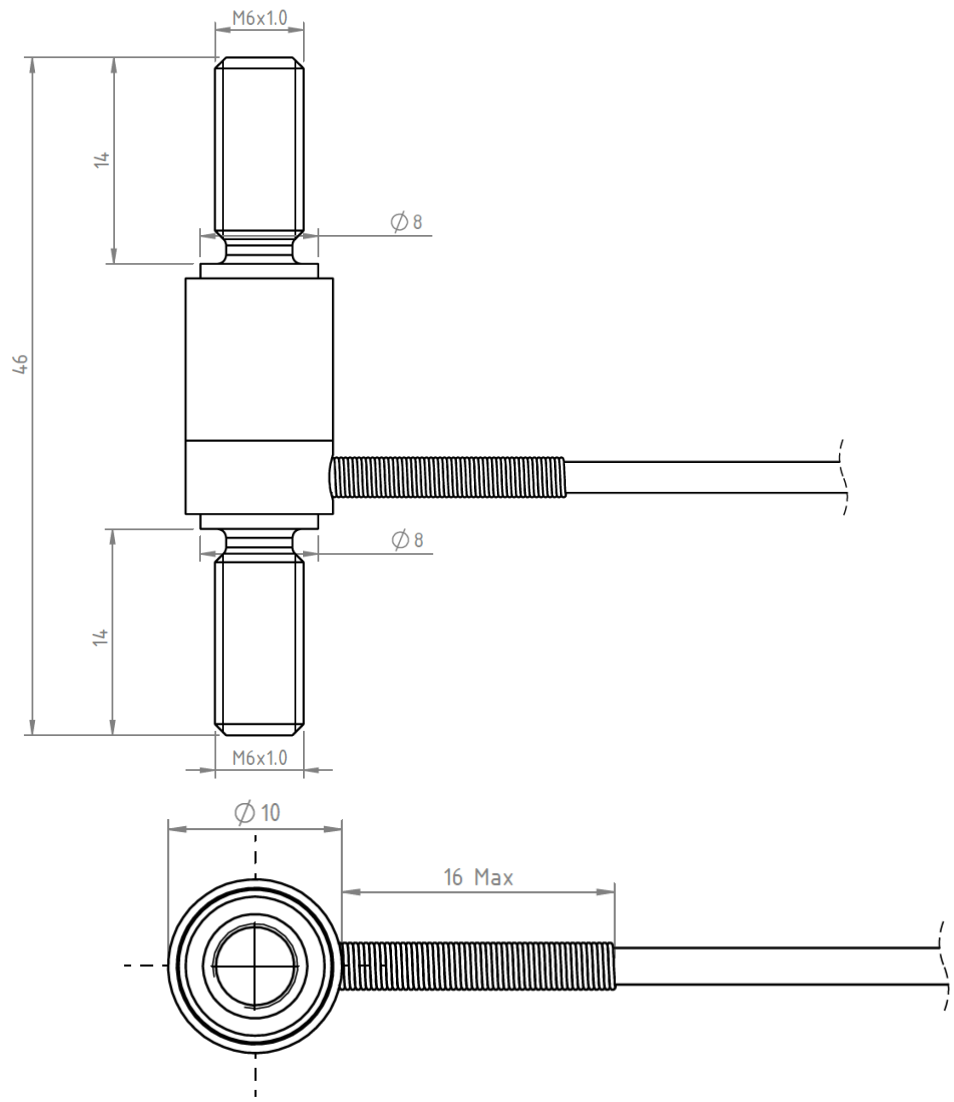
Unless otherwise specified, all values are given at +20°C

PARAMETERS	Values						
	N	50	200	500	1 000	2 000	5 000
Measuring range	N	50	200	500	1 000	2 000	5 000
Material		AU4G T4	APX4	AU4G T4		APX4	
Overload (without damage)		1.5 x range					
Excitation		10 VDC					
OUTPUT							
Full Scale Output (FSO) @ 10 VDC		±100mV (10mV / V)			±150mV (15mV / V)		
Output Impedance		500 Ω to 1 kΩ					
Zero offset		<± 10 mV					
Linearity et Hysteresis		<± 0.5% FSO					
Insulation		> 100 MΩ @ 50 VDC					
ENVIRONMENTAL							
Operating Temperature Range (OTR)		-40°C to +120°C					
Compensated Temperature Range		0°C to +60°C (<i>See Options for other ranges</i>)					
Thermal Zero Shift within CTR		< 2% FSO / 50°C					
Thermal Sensitivity Shift within CTR		< 2% of reading / 50°C					
PHYSICAL							
Mechanical Connection		M6x1.0					
Weight (without cable)		16g					
Electrical connection		4 wires shielded cable, silicon jacket, standard length 2m (<i>customizable length in option</i>)					
Index of Protection		IP50					

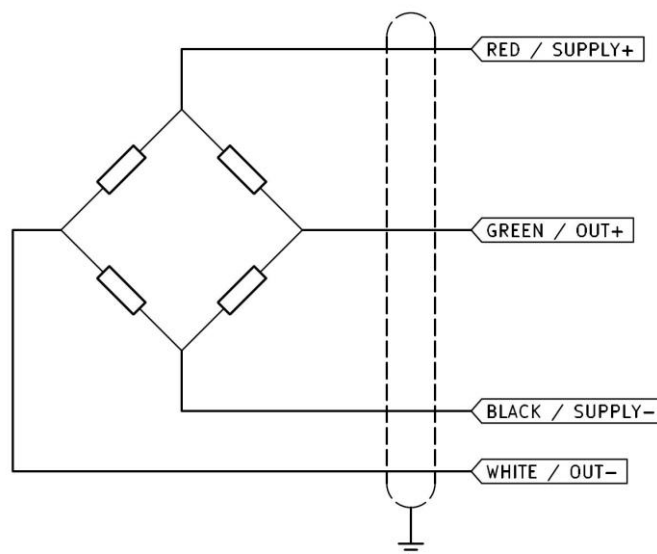
Notes :

Signal goes positive in traction with standard wiring configuration

DRAWING

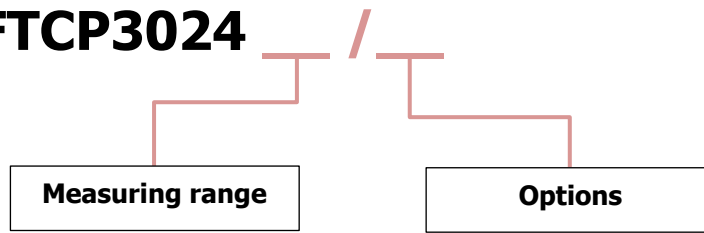


WIRING



ORDERING INFORMATION

FTCP3024



Options	Reference	Description
Compensated temperature range	None C1 C2	0°C to +60°C (standard) 0°C to +120°C -40°C to +120°C
Cable length	None LxxM LxxF	2m (standard length) xx: custom length in meter xx: custom length in foot

Examples:

FTCP3024200N/C1L3M

- Measuring range: 200N
- Compensated temperature
- Cable length: 3m

FTCP30245KN

- Measuring range: 5kN
- Cable length: 2m

REVISIONS HISTORY

REVISION	DATE	DESCRIPTION
A	03/11/2025	Document creation

CONTACT

MESUREX
13 Rue des Corroyés
78730 Saint Arnoult en Yvelines (France)

Tel : +33 (0) 1 30 41 23 62
Mail : measurex@measurex.fr
Web : www.measurex.fr