

PM4 Series

M4 Mounting Miniature Pressure Sensor

Ref: 4202

Rev: A



DESCRIPTION

This miniature pressure sensor is designed to perform static and dynamic measurements in harsh environment. Fully made in titanium, this flush membrane sensor is compatible with a large number of corrosive and/or conductive fluids. Available in low level output capable of delivering a precise and fast responding analog signal.

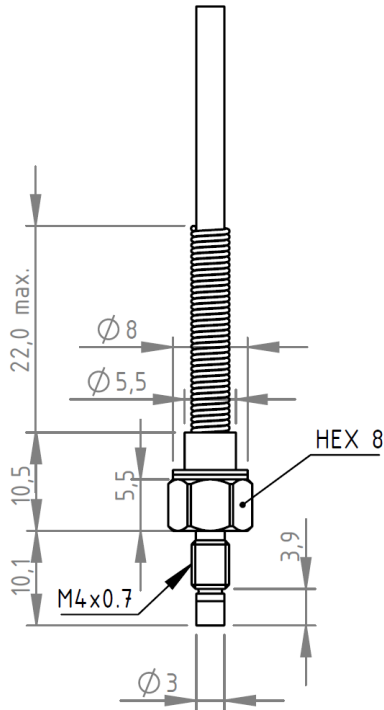
TECHNICAL DATA

Unless otherwise specified, all values at 20°C

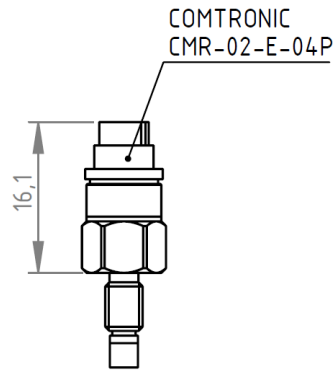
PARAMETERS		Values					
INPUT	BAR	5	10	20	50	100	200
Pressure Range (FS)	PSI	75	150	300	750	1500	3000
Pressure Type		Relative or Sealed				Sealed only	
Over Pressure		2 x Pressure range					
Burst Pressure		5 x Pressure range					
Pressure Media		Any Liquid or Gas Compatible with Titanium					
Supply voltage		10 VDC regulated					
Input Impedance		1200 Ω					
OUTPUT		30 mV ± 50%	60 mV ± 50%	100 mV ± 50%			
Full Scale Output (FSO) @ 10 VDC							
Output Impedance		1200 Ω					
Zero offset		± 10 mV					
Non-Linearity		± 0.5% FS	± 0.35% FSO				
Hysteresis		± 0.25% FS					
Repeatability		± 0.2% FS					
Insulation		> 100 MΩ @ 50 VDC					
ENVIRONMENTAL							
Operating Temperature Range (OTR)		-40 °C to 120 °C					
Compensated Temperature Range (CTR)		0 °C to 60 °C (see Options for other ranges)					
Thermal Zero Shift over CTR		± 5% FS / 50 °C	± 2.5% FS / 50 °C				
Thermal Sensitivity Shift over CTR		± 2% FS / 50 °C					
PHYSICAL							
Resonant frequency ⁽¹⁾	kHz	224	224	299	374	474	673
Electrical Connection		2m shielded cable, 4x30 AWG, silicone jacket (see Options for other cable length) Or Comtronic connector CMR-02-E-04P (supplied with mating connector CMR-02-B-04S on 2m cable)					
Mechanical Connection		M4x0.7					
Index of Protection		IP50 IP67 (see Options)					
Sealing		BS Ring Ø15.88mm x 2mm (-40°C to 135°C)					
Mounting Torque		1.8 Nm (recommended), 3 Nm maximum					

(1) The suggested operating frequency is 20% of the resonant frequency

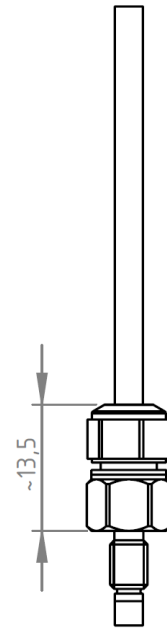
SIZE



Cable output model

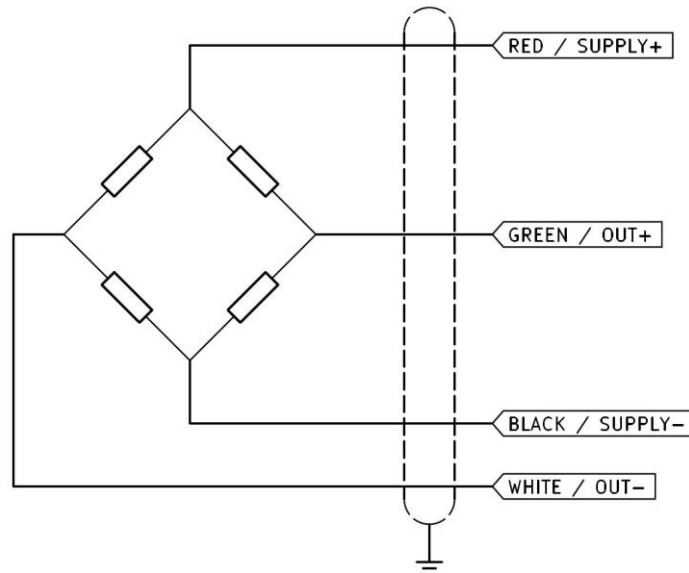


Connector output model

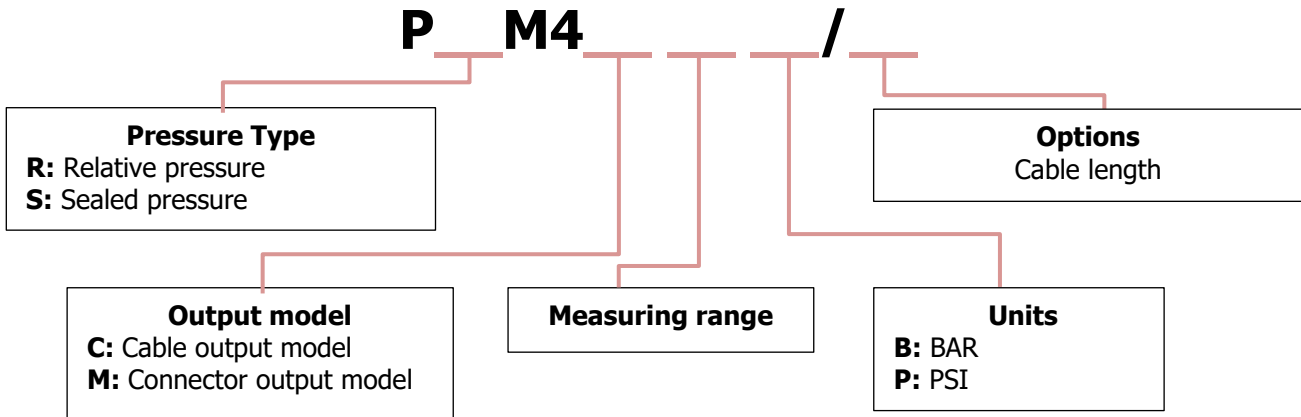


IP67 model

WIRING



ORDERING INFORMATION



Options	Reference	Description
Compensated temperature range	None C1 C2	0°C to +60°C (standard) 0°C to +120°C -40°C to +120°C
Cable length	None LxxM LxxF	2m (standard length) xx: custom length in meter xx: custom length in foot
Index of protection: IP67	P67	only available on cable output

Examples:

PRM4C300P/L6M

- Pressure type: relative pressure
- Measuring range: 300 PSI
- Standard cable output
- Cable length: 6m

PSM4C5B/P67

- Pressure type: sealed pressure
- Measuring range: 5 BAR
- IP67 output
- Cable length: 2m (standard)

REVISIONS HISTORY

REVISION	DATE	DESCRIPTION
A	17/07/2025	Creation of the document

CONTACT

MESUREX
13 Rue des Corroyés
78730 Saint Arnoult en Yvelines (France)

Tel : +33 (0) 1 30 41 23 62
Mail : mesurex@mesurex.fr
Web : www.mesurex.fr