

# P-M10 Series

M10 Miniature Pressure Sensor

Ref : 602

Rev : D



## DESCRIPTION

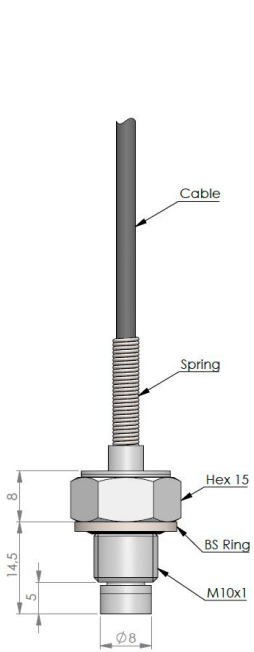
These miniature pressure sensors are designed to make static measurements of pressure as well as dynamic in industrial environments. Made in stainless steel in a fully welded design, these flush membrane sensors are compatible with a great number of corrosive and conductive fluids.

Available in low level or amplified output, the integrated electronic is able to deliver an analog tension or current loop signal.

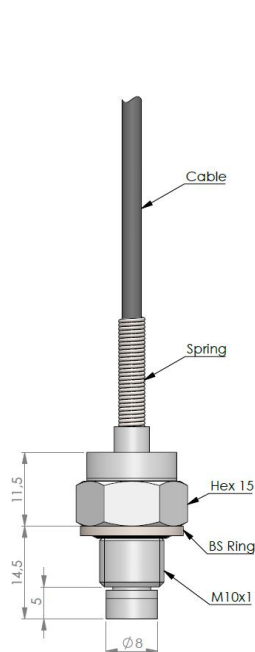
## TECHNICAL DATA

MODEL		Low-level output (mV)			5V amplified output				4-20mA current loop		
<b>INPUT</b>	BAR PSI	1 15	2 30	5 75	10 150	20 300	35 500	50 750	100 1500	200 3000	350 5000
Pressure Range											
Pressure Type		Absolute, Relative or Sealed									
Over Pressure		2 Times Rated Pressure									
Burst Pressure		5 Times Rated Pressure (3 Times Rated Pressure for the 350 BAR range)									
Pressure Media		Any Liquid or Gas Compatible With 15-5 PH or Stainless Steel									
Electrical Input		500 – 1500 Ω			< 30 mA				< 30 mA		
Supply voltage		10 VDC regulated			13 – 32 VDC				10 – 26 VDC		
<b>OUTPUT</b>											
Sensibility/Full Scale Output (FS)		10 mV/V (5 mV/V for 1 BAR range)			5 V ± 150 mV				20 mA ± 0.4 mA		
Output Impedance		500 – 800 Ω			1 kΩ				1 kΩ		
Zero offset at 20 °C		± 1 mV/V			0 to 100 mV				4 mA ± 0.4 mA		
Bandwidth (-3dB)		3 kHz									
Combined Non-Linearity & Hysteresis		± 0.50% FS (Max)									
Repeatability		± 0.2% FS									
Insulation		> 100 MΩ @ 50 Vdc									
<b>ENVIRONMENTAL</b>											
Operating Temperatures		-40 °C to 120 °C			-40 to 120°C				-20 to 80°C		
Compensated Temperatures		0 °C to 60 °C (see Options for other range)									
Thermal Zero Shift		< ± 3% FS / 50 °C									
Thermal Sensitivity Shift		< ± 2% FS / 50 °C									
<b>PHYSICAL</b>											
Resonant frequency	kHz	30	30	35	50	69	79	109	154	218	288
Electrical Connection		CABLE OUPUT: 4 x 30 AWG Shielded Cable 2m long (see Options for other length) OPTION: Integrated COMTRONICS CMR-02-E-04-P connector (sold with mating connector mounted on a 2m extension cable with option on length)									
Mechanical Connection		M10x1.0									
Material		Z8CND17.04 (RM > 90 HBAR)									
Index of Protection		IP50 (standard) IP67 (see Options)									
Pressure Sensing Principle		1 and 2 BAR range: Full Wheatstone Bridge Dielectrically Isolated Silicon on Silicon Other range: Half Wheatstone Bridge Dielectrically Isolated Silicon on Silicon									
Sealing		BS Ring Ø15.88mm x 2mm (-40°C to 135°C)									
Mounting Torque		10 Nm Max									

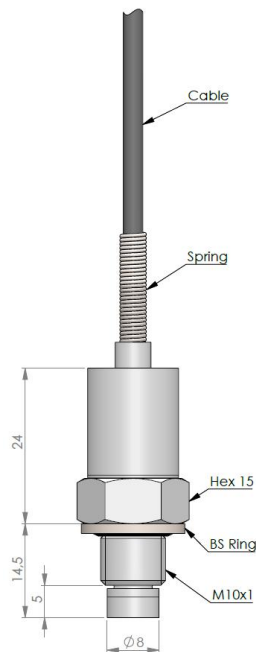
SIZE



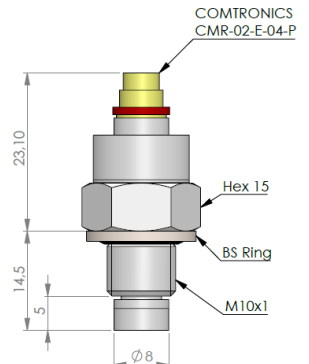
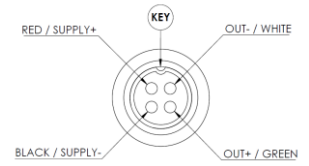
LOW LEVEL  
CABLE OUTPUT



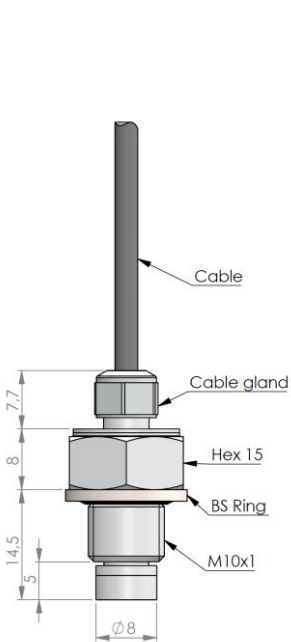
5V AMPLIFIED  
CABLE OUTPUT



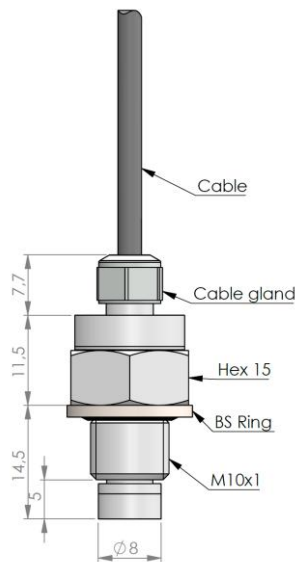
4-20mA  
CABLE OUTPUT



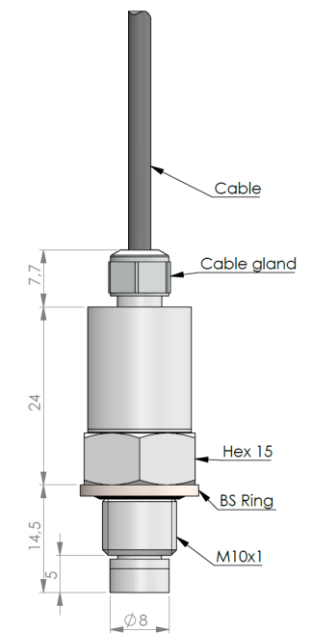
5V AMPLIFIED  
CONNECTOR OUTPUT



LOW LEVEL  
IP67 CABLE OUTPUT



5V AMPLIFIED  
IP67 CABLE OUTPUT

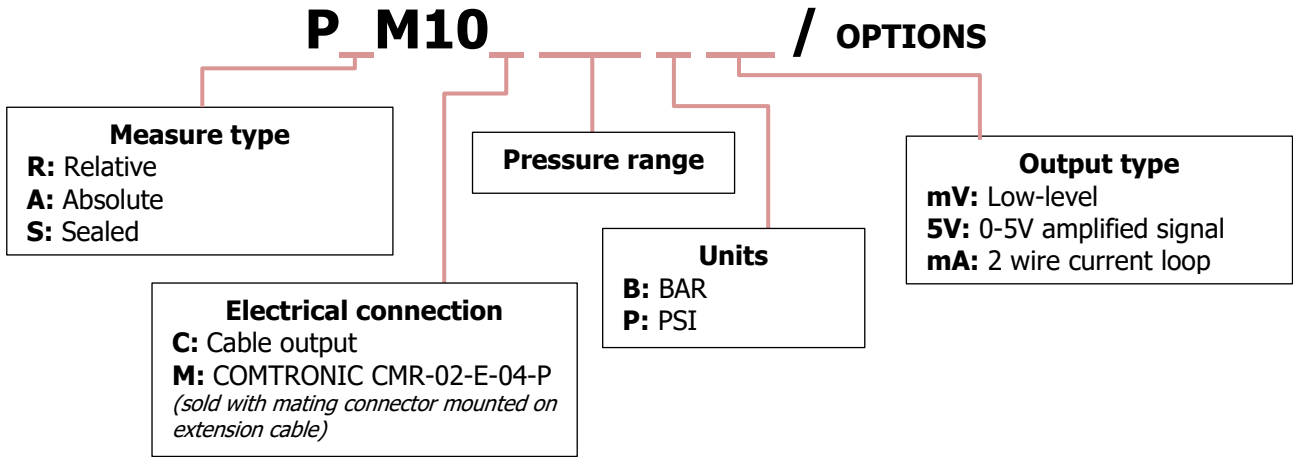


4-20mA  
IP67 CABLE OUTPUT

WIRING

<p>LOW LEVEL OUTPUT</p>	
<p>5V AMPLIFIED OUTPUT</p>	
<p>2 WIRE 4/20mA CURRENT LOOP</p>	

ORDERING INFORMATION



Options	Reference	Description
Compensated temperature range	Empty C1 C2	0°C to +60°C -40°C to +120°C -40°C to +200°C
Cable length	Empty LxxM LxxF	2m standard length xx: custom length in meter xx: custom length in foot
Index of protection	Empty P67	Index IP50 Index IP67

Examples:

**PAM10C10BmV/P67**

- Measure type: Absolute
- Pressure range: 10 BAR
- Low-level signal
- 2m standard cable output
- Index of protection: IP67

**PSM10M350B5V/L6MC2**

- Measure type: Scaled
- Pressure range: 350 BAR
- COMTRONIC CMR-02-E-04-P Connector + 6m extension cable with mating connector
- 0-5V amplified signal output
- Temperature compensation: -40°C to +200°C

REVISIONS HISTORY

REVISION	DATE	DESCRIPTION
C	30/07/2025	Added IP67 option
B	07/02/2025	Updated to new template Added COMTRONICS Connector output option "M" Added COMTRONICS Connector pinout Added dimensional drawing of the COMTRONICS Connector version Added white wire on 5V amplified schematic Correction of English description text
A	15/03/2019	Creation

CONTACT

MESUREX  
13 Rue des Corroyés  
78730 Saint Arnoult en Yvelines (France)

Tel : +33 (0) 1 30 41 23 62  
Mail : [mesurex@mesurex.fr](mailto:mesurex@mesurex.fr)  
Web : [www.mesurex.fr](http://www.mesurex.fr)